

Wedging Tables

These wedging tables are popular with professional ceramists, schools and universities throughout the country. They are delivered assembled, ready for you to pour your plaster bat. Alpine® wedging tables are fabricated with an all welded reinforced steel angle iron frame to insure permanent stability. The frame will not loosen. Stainless steel cutting wires, with turnbuckles for tightening, are attached to a steel tube center post.

Wedging Table Plaster Mixing Requirements

Model To Top 1/2" Recess

WGT2 Plaster Required	102 lbs.	84 lbs.
Water Required	71 lbs.	59 lbs.
WGT4 Plaster Required	200 lbs.	180 lbs.
		126 lbs.
Water Required	141 lbs.	360 lbs.
WGT6 Plaster Required	440 lbs.	252 lbs.
Water Required	345 lbs.	

- Notes:**
1. Assumes Pottery Plaster No. 1 is used
 2. Assumes a mixing consistency of 70% water to plaster
 3. For other volumes use: 1 lb. 7 oz. of plaster per lb. of water
 4. Water - 8.34 lbs. per gallon

Cat. No. (Model)	ALWGT2	ALWGT4	ALWGT6
Persons	Two	Four	Six
Wedging area	8 sq. ft.	16 sq. ft.	24 sq. ft.
Dimensions	4' x 2' x 32" H	4' x 4' x 32" H	6' x 4' 32" H
Shipping Weight	150 lbs.	225 lbs.	300 lbs.
List Price	\$1,050.00	\$1,185.00	\$1,450.00
\$40.00—\$60.00 Crating/Packing Charge per table depending on model.			



Model ALWGT4

Ceramic Work Tables

DO NOT BE MISLED BY IMITATORS!

Alpine® has designed ceramic worktables to give years of service. The tables are ideal for groups working with clay doing such things as clay slab work, clay sculpture or general instructional use in the classroom.

All stainless steel tops have TIG welded corners, with welded angle iron frames to insure permanent stability. The frame will not loosen or wobble. The surface of the table is made of stainless steel to eliminate contamination of materials and provide for easy cleaning.

An optional feature of these tables is the tilt out bins, which may be added in any quantity from one to the full capacity of the table. The bins may be purchased with the table or later if desired. Each bin will hold up to 150 pounds of material. When a table is completely equipped with bins, it becomes a Glaze Formulating Table.

Cat. No. (Model)	Dimensions	Shipping Weight	List Price
ALCWT8	46 1/2" W x 22 1/2" D x 37" H	140 lbs.	\$895.00
ALCWT16A	46 1/2" W x 46 1/2" D x 37" H	280 lbs.	\$1,095.00
ALCWT16B	94 1/2" W x 22 1/2" D x 37" H	280 lbs.	\$1,145.00
ALCWT32	94 1/2" W x 46 1/2" D x 37" H	560 lbs.	\$1,570.00
\$45.00—\$85.00 Crating/Packing Charge per table depending on model.			



Model CWT32

Glaze Formulating Tables

The glaze formulating tables developed by Alpine® are designed to eliminate waste and save time and are available in five different sizes. Each table will provide a clean compact working area. No more open sacks of material which might be spilled or broken. A variety of materials are placed at your fingertips. Each full bin tilts out and will hold up to 150 pounds of dry materials, each half bin will hold up to 25 pounds of dry materials. Bins are engineered to open with minimum effort even when completely filled. Framework on all five glaze formulating tables is constructed of MIG welded steel. Bins are fabricated of aluminum to eliminate contamination of materials. Tops are stainless steel.

Cat. No. (Model)	Shipping Weight	List Price
ALGFT8S	175 lbs.	\$1,345.00
ALGFT8SH	185 lbs.	\$2,395.00
ALGFT16AS	350 lbs.	\$1,970.00
ALGFT16BS	350 lbs.	\$2,115.00
ALGFT32S	700 lbs.	\$3,220.00
Full Bins	5 lbs.	\$102.00
Half Bins	3 lbs.	\$80.00

\$45.00—\$85.00 Crating/Packing Charge per table depending on model. Packing charge for Half Bin \$4.25, Full Bin \$8.50

Specifications

Model No.	ALGFT8S	ALGT8SH	ALGT16AS	ALGFT16BS	ALGFT32S
Table Area	8 Sq. ft.	8 Sq. ft.	16 Sq. ft.	16 Sq. ft.	16 Sq. ft.
Dimensions*	46.5" x 22.5" x 37"	46.5" x 22.5" x 37"	46.5" x 46.5" x 37"	94.5" x 22.5" x 37"	94.5" x 46.5" x 37"
No. of Bins	5 Bins on one side	10 Bins on one side	10 Bins 5 on each side	10 Bins all on one side	20 Bins 10 on each side
Bin Size	8" x 14" x 24"	8" x 14" x 10"	8" x 14" x 24"	8" x 14" x 24"	8" x 14" x 24"

Construction Constructed of MIG welded steel frame, aluminum bins and stainless tabletop

NOTE: Model No.'s ALGFT8, ALGFT8SH and GFT16B are designed for use against a wall. Bins are on one side of the table. Model No.'s GFT16A and GFT32 are designed for use in center of an area. Bins are on both sides.



Model ALGFT8S



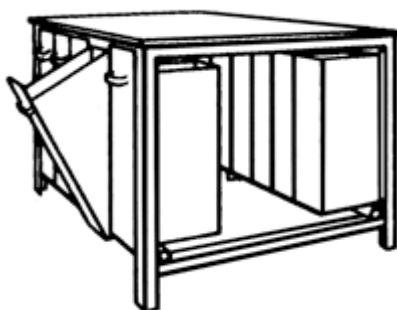
Model ALGFT8SH



Model ALGFT16B



Model ALGFT8S



Model ALGFT16AS



Model ALGFT16BS